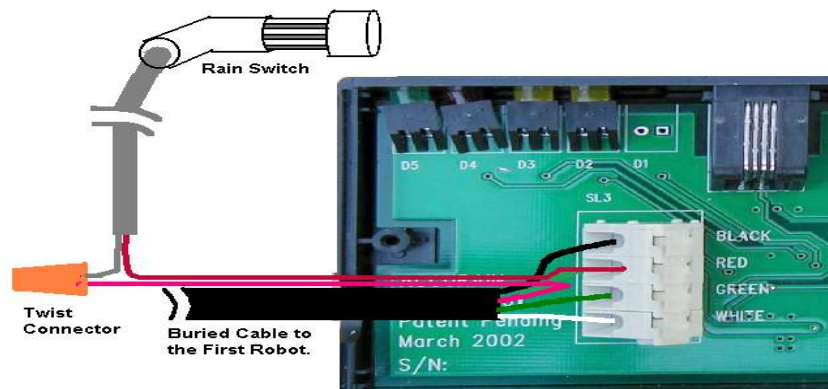




Installing a Rain Sensor with the AccuRain System

A rain sensor can be wired into the Junction Box of an AccuRain system. When the rain sensor gets wet, it interrupts 24-volt power (red wire) to all Robots and the Controller display shows the error message “MISSING ROBOTS” when wet. When the rain sensor dries out and closes the circuit, the system automatically resumes operation from the point that it was interrupted.

Follow the instructions given with the product. Install the rain sensor so it is exposed to the rain but not water from the Robot. Bring the cable back to the Junction Box. The illustration below shows wiring details. When you strip the wires from the buried cable for the Junction Box terminals, cut the red wire so that it is long enough to connect to the rain sensor cable. Select the two wires that connect to the rain sensor. Connect one wire to the red wire using a twist connector. Connect the other side of the switch to the red terminal in the Junction Box.



Here is a list of readily available rain sensors that are compatible with the AccuRain System as described above. The list is not exhaustive.

- Hunter Rain-Clik™ Rain Sensor**
- Hunter Mini-Clik Rain Sensor**
- Rain Bird RSD Series Rain Sensors**
- Toro 850-74 - Rain Switch®**
- Toro Wired RainSensor™ Model 53769**